

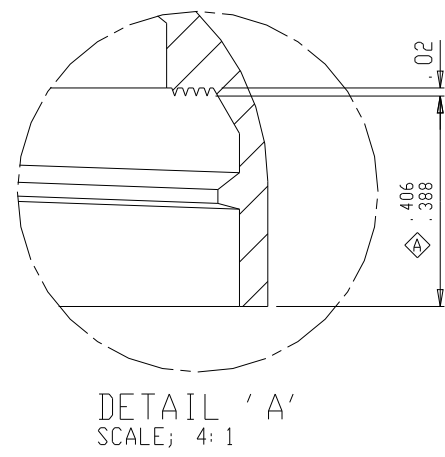
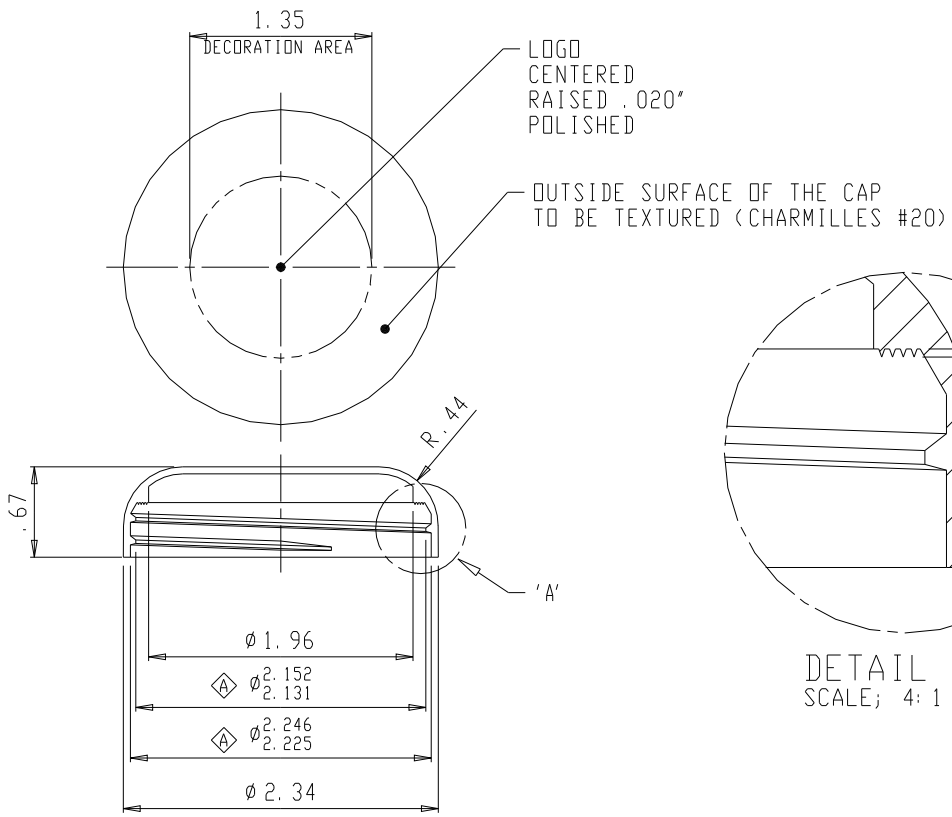
B

A

2

1

REV.	DATE	DESCRIPTION	BY
Ⓜ	4/13/2012	Ø2.131-2.152 was Ø2.15, .388-.406 was .39 Ø2.225-2.246 was Ø2.23	DJC



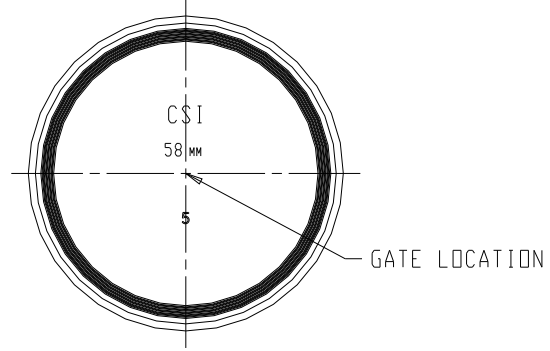
B

A

2

1

THREAD - 6 T. P. I. 1-1/8 TURNS
PART WEIGHT: 6 ± 1 G



I N C H	TOLERANCE EXCEPT AS NOTED	
	. XX . XXX	± .015 ± .005
THIRD ANGLE PROJECTION	FRAC.	± 1/32
	ANG.	± 0° 30'

SCALE: 1: 1	DRAWN: DJC	DATE: 9. 25. 09	CSI COSMETIC SPECIALTIES INTL, LLC 550 EAST THIRD ST DIXON, CA 93030 (805) 487-6698
MATERIAL: PP	SHRINK: .018	CHECKED: DATE:	
TITLE: CAP, LOW DOME, 58MM-400, 7/16 RAD., SINGLE WALL			CAD FILE NUMBER: 14-0246-01-1-4-001. drw
REV. A			DRAWING NUMBER: 14-0246-01-1-4-001
			DF 1 SHT. 1