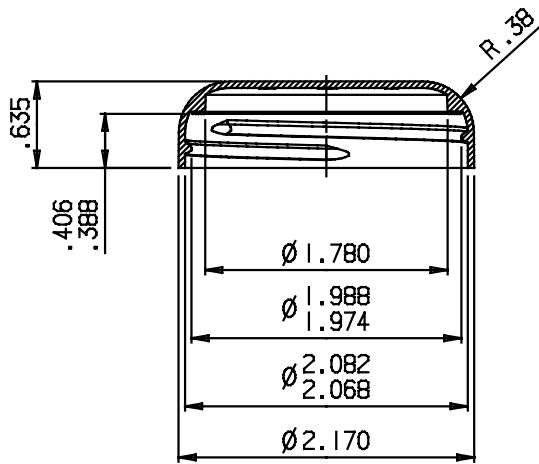
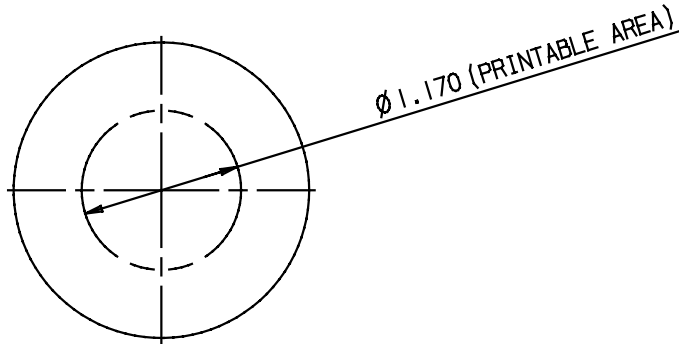


2


1

REV.	DATE	DESCRIPTION	BY
◇			



NOTE:

1. THREAD: 6 T.P.I.; 1-1/4 TURNS
2. PART WT: 5.5±1.0 g

SCALE: 1:1	DRAWN: K.O.	DATE: 08.10.04	 COSMETIC SPECIALTIES, INC. 550 EAST THIRD ST. OYARD, CA 93032 (805) 487-6688
MATERIAL: PP	SHRINK: .018	CHECKED: -	

PROJECT: CAP
53/400; DOME

INCH		TOLERANCE EXCEPT AS NOTED	
THIRD ANGLE PROJECTION		.XX	±.015
		.XXX	±.010
		.XXXX	±.005
		FRAC.	±1/32
		ANG.	± 0°30'

DRAWING NUMBER:	14-0247-01-1-4-001	REV.	OF
			SHT.

2

1

B

B

A

A