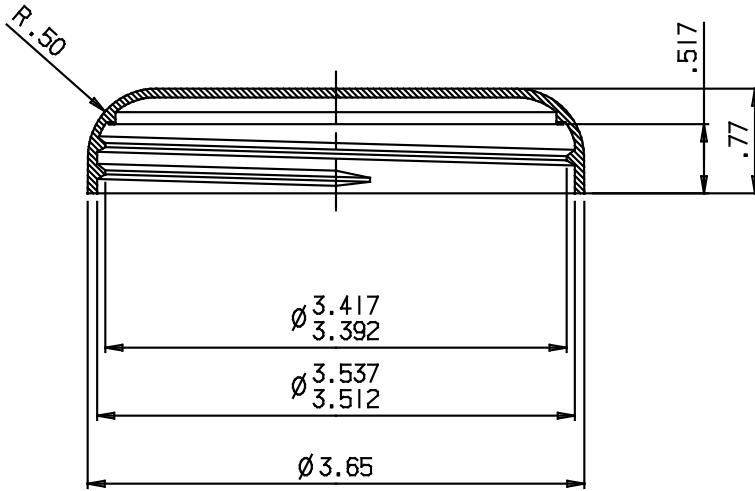
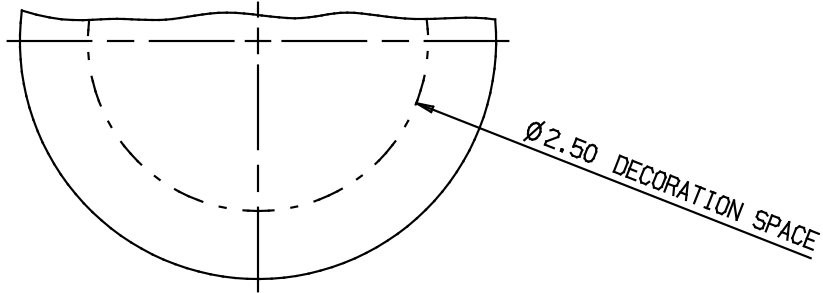


2

1

REV.	DATE	DESCRIPTION	BY
◇			



NOTES:
 1) THREAD; 5 T.P.I., 1 3/8 TURNS.
 2) PART WT; 16.7g ± 1g.

SCALE: 1:1	DRAWN: DJC	DATE: 05.10.12	CSI COSMETIC SPECIALTIES INTL.,LLC 550 EAST THIRD ST. OYARD, CA 93030 (805) 487-6699
MATERIAL: PP	SHRINK: .018	CHECKED: DJC	

PROJECT: CAP
89 mm - 400 LOW DOME

INCH	TOLERANCE EXCEPT AS NOTED	
	THIRD ANGLE PROJECTION	.XX ±.015 .XXX ±.010 .XXXX ±.005
	FRAC.	± 1/32
	ANG.	± 0° 30'

DRAWING NUMBER:	14-0253-00-1-0-000	REV.	OF
			SHT.

2

1