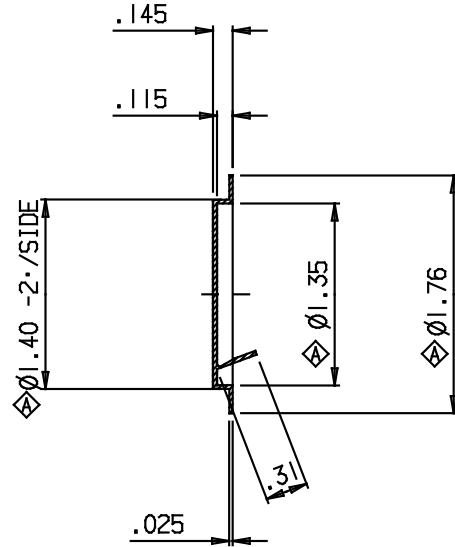


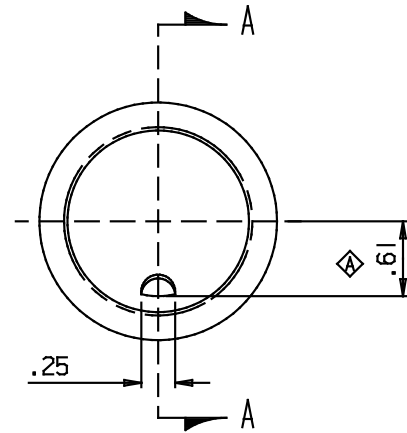
2

1

REV.	DATE	DESCRIPTION	BY
◆	02.22.13	Ø1.40 was 1.381-1.387, Ø1.35 was 1.335 Ø1.76 was 1.744-1.750, .61 was .55 1.3 ± .5 g was 1.7 ± 1 g	DJC



SECTION A-A



SCALE: 1:1	DRAWN: DJC	DATE: 09.25.09	CSI COSMETIC SPECIALTIES INTL.LLC. 850 EAST THIRD ST. OXNARD, CA 93030 (805) 487-6698
MATERIAL: LDPE	SHRINK: .020	CHECKED: DJC	
PROJECT:		TITLE: JAR SEAL - 48 MM	
DRAWING NUMBER: 14-0259-01-1-4-001			REV. A
			OF 1 SHT. 1

NOTE:
1. PART WEIGHT: 1.3 ± .5 g ◆

INCH	TOLERANCE EXCEPT AS NOTED
	.XX ± .015 .XXX ± .005
THIRD ANGLE PROJECTION	FRAC. ANG.
	± 1/32 ± 0° 30'

2

1