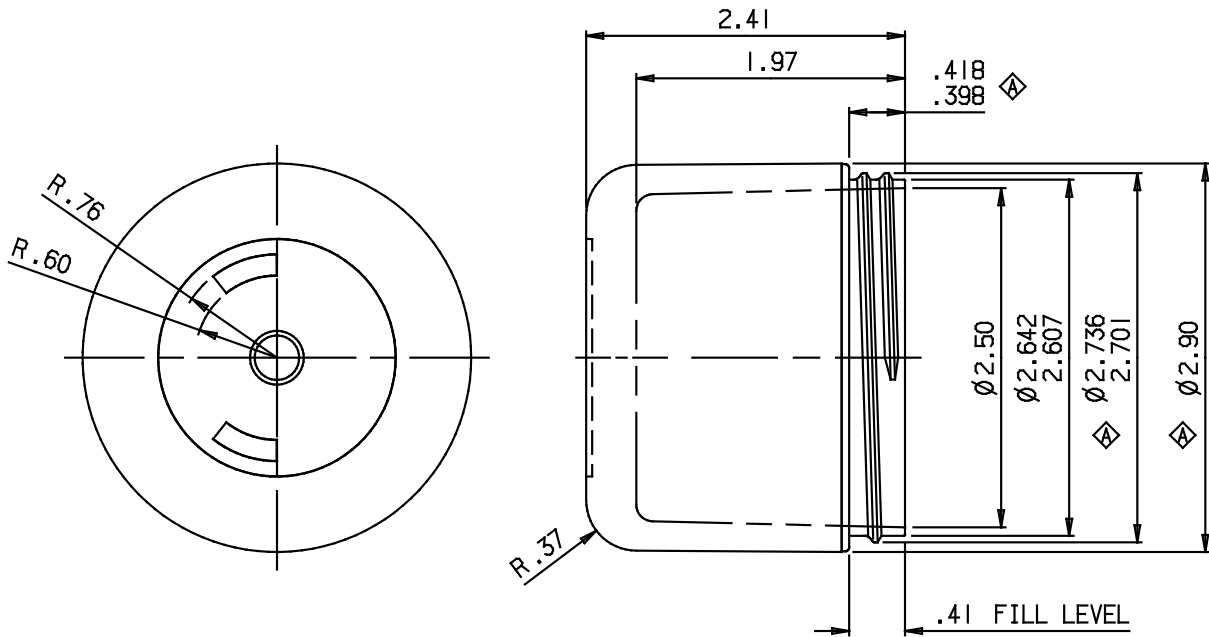


2

1

REV.	DATE	DESCRIPTION	BY
◇	05.21.12	Ø2.736/2.701 was Ø2.722/2.698, Ø2.90 was Ø2.89 .418/.398 was /41	DJC



NOTE:

1. WEIGHT: 32.1 ± 3 g
2. OVERFLOW CAPACITY: 5.13 ± 0.17 fl.Oz.
3. THREAD : 6 T.P.I.; 1-1/4 TURNS

PP	LINER
PP	SHELL

DET.	REQ'D	DRAWING #	MATERIAL	DESCRIPTION
SCALE:		DRAWN:	DATE:	CSI COSMETIC SPECIALTIES INTL.,LLC 550 EAST THIRD ST OAKLAND, CA 94630 (905) 487-6688
1:1		DJC	01.14.10	
MATERIAL:	SHRINK:	CHECKED:	DATE:	
PP	.018	DJC	05.21.12	

INCH	TOLERANCE EXCEPT AS NOTED
	.XX ±.015 .XXX ±.005
THIRD ANGLE PROJECTION	FRAC. ±1/32 ANG. ± 0° 30'

TITLE:
JAR, 4 Oz., 70 MM-400
DOUBLE WALL, SOFT RADIUS

REV. A	CAD FILE NUMBER: 14-0415-00-1-0-000-A.drw	OF 1
	DRAWING NUMBER: 14-0415-00-1-0-000	SHT. 1

2

1