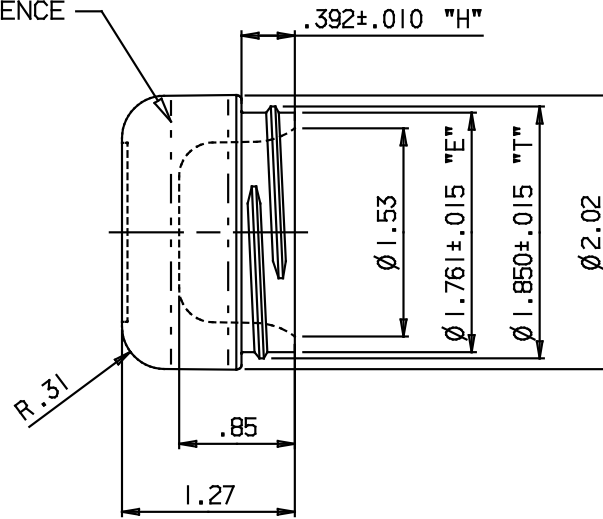
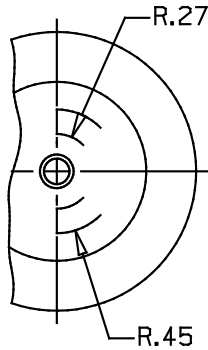


2

1

REV.	DATE	DESCRIPTION	BY
◇			

DECORATION SPACE  
 .42 HIGH x 6.33 CIRCUMFERENCE



2	1	421302	PP	LINER
1	1		HIPS	SHELL
DET.	REQ'D	DRAWING NO.	MATERIAL	DESCRIPTION
SCALE:		DRAWN:	DATE:	CSI COSMETIC SPECIALTIES INTL.LLC. 650 EAST THIRD ST. OXNARD, CA 93032 (805) 487-6698
1:1		DJC	02.26.13	
DESIGN:	DATE:	CHECKED:	DATE:	
CHRIS OTOKA	04.24.06	-	-	

NOTES;

- 1) WT. OF EMPTY JAR: 12g ± 1g.
- 2) 6 T.P.I, 1-1/8 TURNS
- 3) CAPCITY TO FILL LEVEL: .5 fl Oz. OR 15 ml.
- 4) CAPACITY TO OVERFLOW: .76 fl. Oz. OR 22.5 ml.

<b>INCH</b>	TOLERANCE EXCEPT AS NOTED
	.XX ±.015 .XXX ±.005
THIRD ANGLE PROJECTION	FRAC. ANG.
	± 1/32 ± 0° 30'

TITLE: JAR, 1/2 Oz., 48 mm DOUBLE WALL, SR, IMF		REV.	OF
DRAWING NUMBER: 14-0434-00-1-0-000		SHT.	

2

1