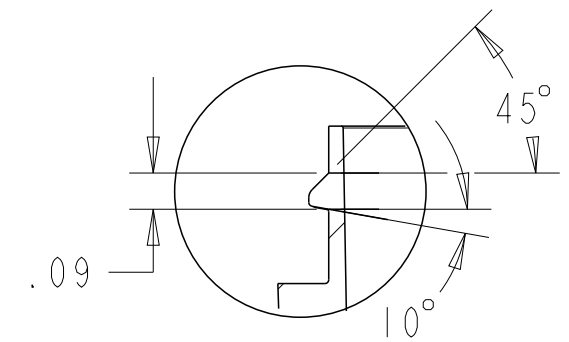
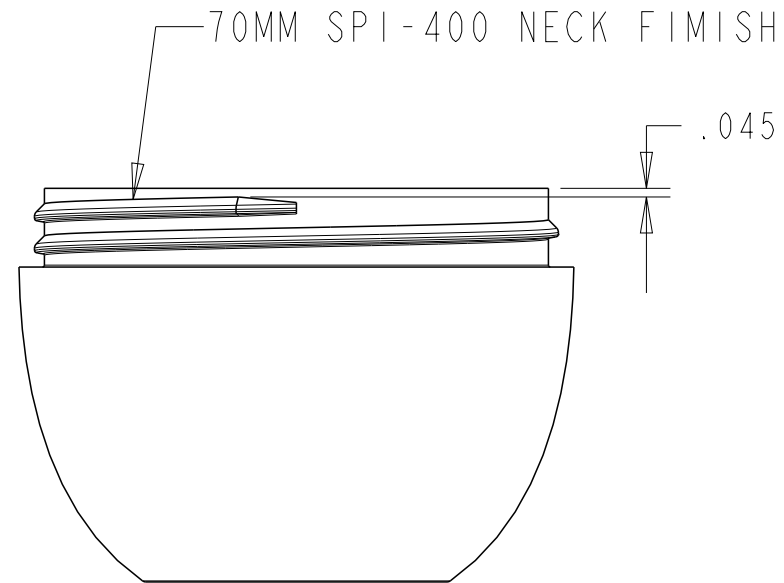
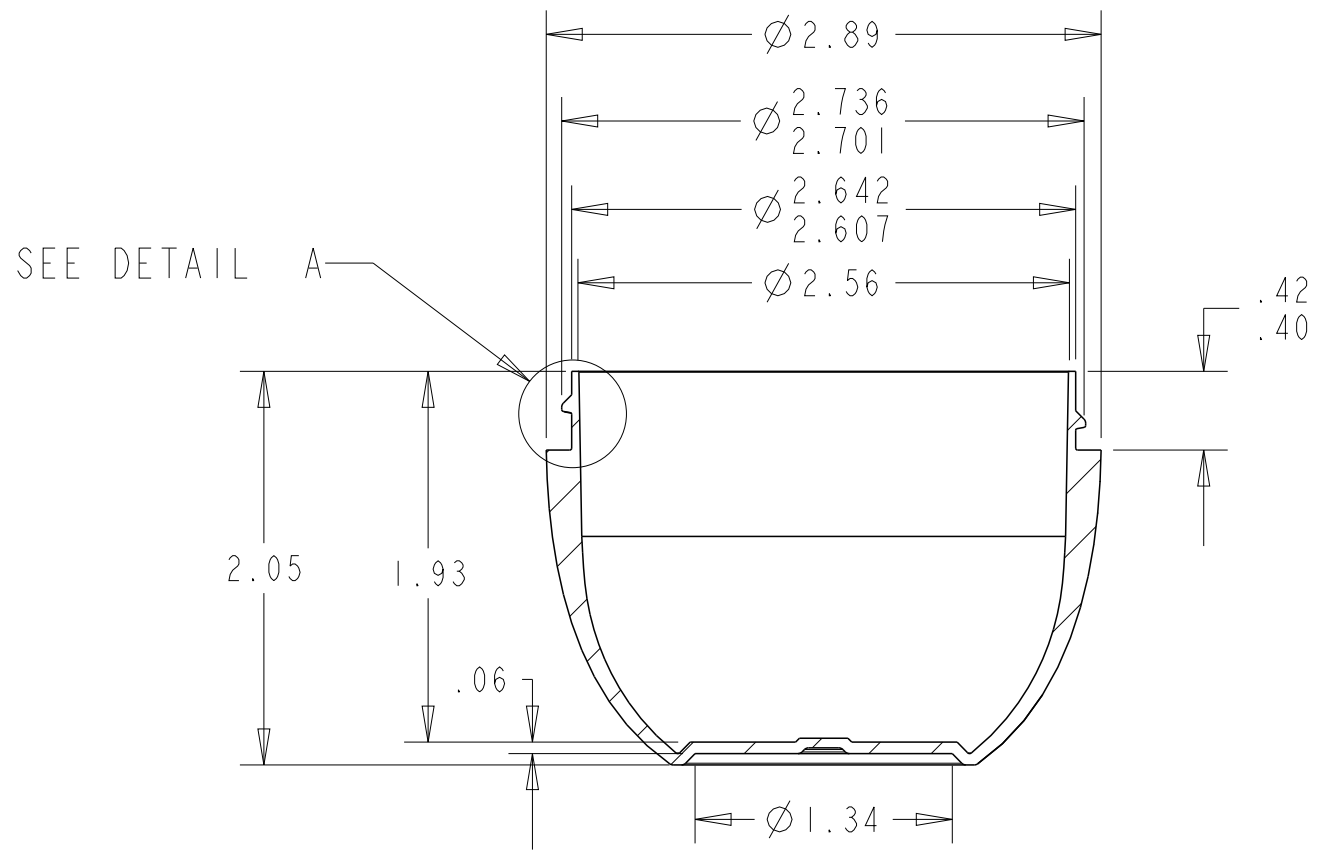
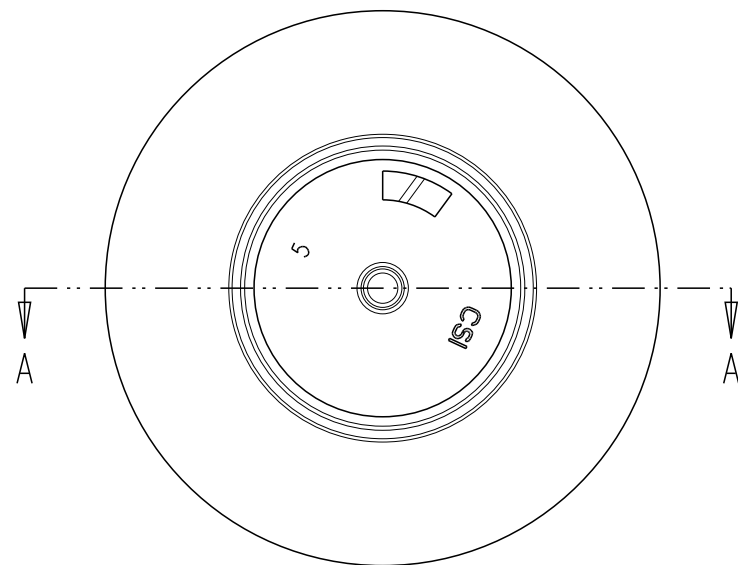


REVISIONS			
REV	DESCRIPTION	DATE	APPROVED




DETAIL A
SCALE 2.000

SECTION A-A



NOTE

1. WEIGHT OF EMPTY JAR: 25.4g±3g.
2. CAPACITY TO FILL LEVEL: 4 fl oz OR 118 ml.
3. CAPACITY TO OVERFLOW: 4.96 fl oz OR 147 ml.
4. THREAD: 6 T.P.I 1 & 1/4 TURN

TOLERANCES DECIMALS .XX ±.015 .XXX ±.005 .XXXX ±.0005 ANGLES ± 1.0° <small>DIMENSIONS ARE IN INCHES, UNLESS OTHERWISE SPECIFIED.</small>	CONFIDENTIAL AND PROPRIETARY <small>THE INFORMATION CONTAINED HEREIN IS THE CONFIDENTIAL AND THE EXCLUSIVE PROPERTY OF CSI. THIS DOCUMENT AND THE INFORMATION CONTAINED HEREIN, SHALL NOT BE COPIED, REPRODUCED, PUBLISHED, DISPLAYED OR DISTRIBUTED IN WHOLE OR IN PART, IN ANY MEDIUM, BY ANY MEANS, FOR ANY PURPOSE WITHOUT THE EXPRESS WRITTEN CONSENT OF CSI. CSI. 2012 ALL RIGHTS RESERVED</small>		 Cosmetic Specialties International, LLC 550 E. Third St. Oxnard CA 93030	
	MATERIAL P.P.	APPROVALS DRAWN MJUN CHECKED DJC ENGR. DJC	DATE 2/10/12 2/10/12 2/10/12	TITLE: FIORE JAR, 4oz 70mm
FINISH SMOOTH	SIZE B		SCALE DO NOT SCALE DRAWING	DWG NO. 14-4017-01-1-0-000
			REV. SHEET 1 of 1	