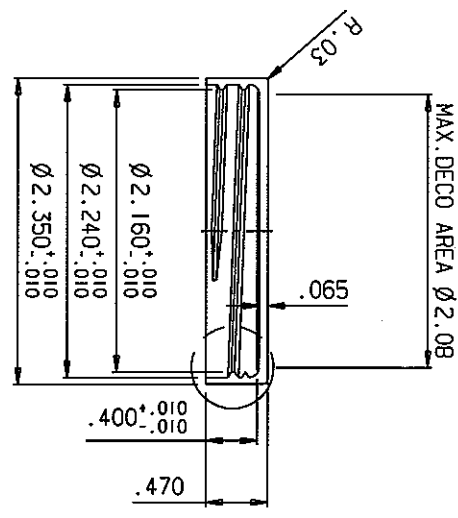
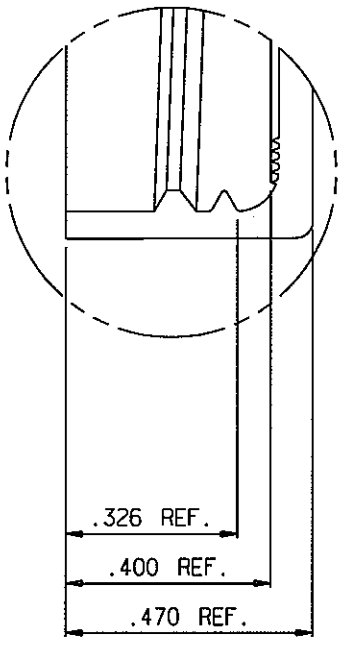


2

REV.	DATE	DESCRIPTION	BY
◆			

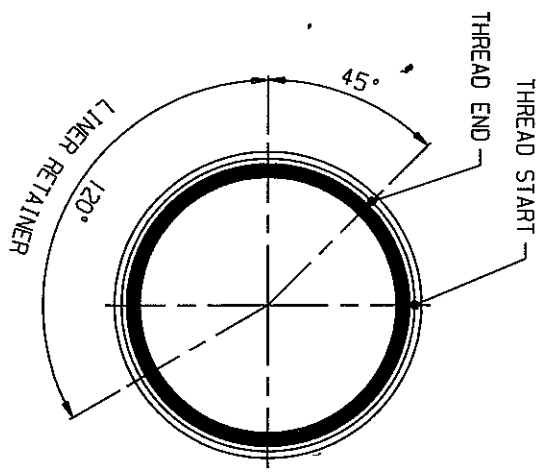


SCALE 4:1



NOTE:

1. THREAD: 6 T.P.I.; 1-1/8 TURNS
2. PART WT: 6.4 g ± .5 g



INCH	TOLERANCE EXCEPT AS NOTED
THIRD ANGLE PROJECTION	.XX ±.015
	.XXX ±.005
	FRAC. ±1/32
	ANG. ±0°30'

TITLE: CAP, 58/400, LOW PROFILE, STRAIGHT SIDED		REV. A	CAD FILE NUMBER: 14-0244-01-1-4-001.drw
SCALE: 1:1 & AS NOTED	DRAWN: DJC	DATE: 09.08.08	OSI/ Cosmo Lab 590 EAST THIRD ST. ORLANDO, CA 92650 (951) 497-0589
MATERIAL: PP	SINK: .018	CHECKED: DATE:	
DRAWING NUMBER: 14-0244-01-1-4-001		OF	SHT.

2

1

B

B

A

A