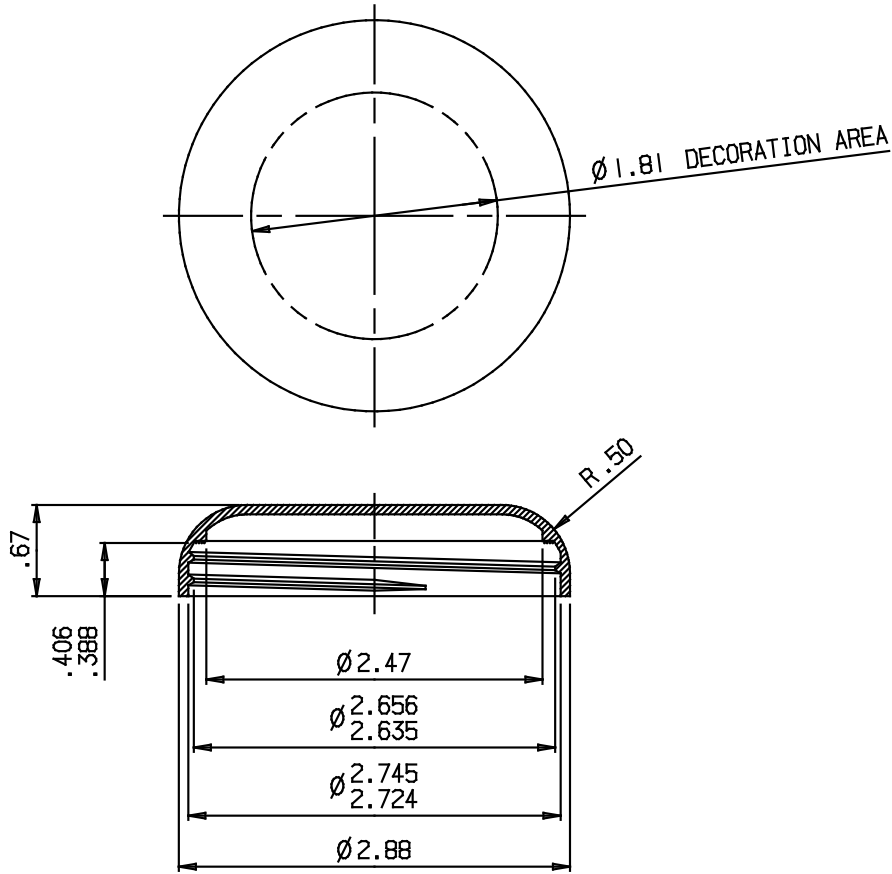


2

1

REV.	DATE	DESCRIPTION	BY
◇			



NOTE:

- 1. PART WT: 10.0 ± 1.0 g
- 2. THREAD: 6 T.P.I.; 1-1/3 TURNS

SCALE: 1:1	DRAWN: K.O.	DATE: 08.11.04	CSI COSMETIC SPECIALTIES, INTL., LLC 550 EAST THIRD ST. OXNARD, CA 93030 (805) 487-6698
MATERIAL: PP	SHRINK: .018	CHECKED: DJC	

PROJECT: CAP,
70/400; SOFT RADIUS

INCH	TOLERANCE EXCEPT AS NOTED
THIRD ANGLE PROJECTION	.XX ±.015
	.XXX ±.010
	.XXXX ±.005
	FRAC. ±1/32
	ANG. ± 0° 30'

DRAWING NUMBER:	14-0245-00-1-0-000	REV.	OF
			SHT.

2

1