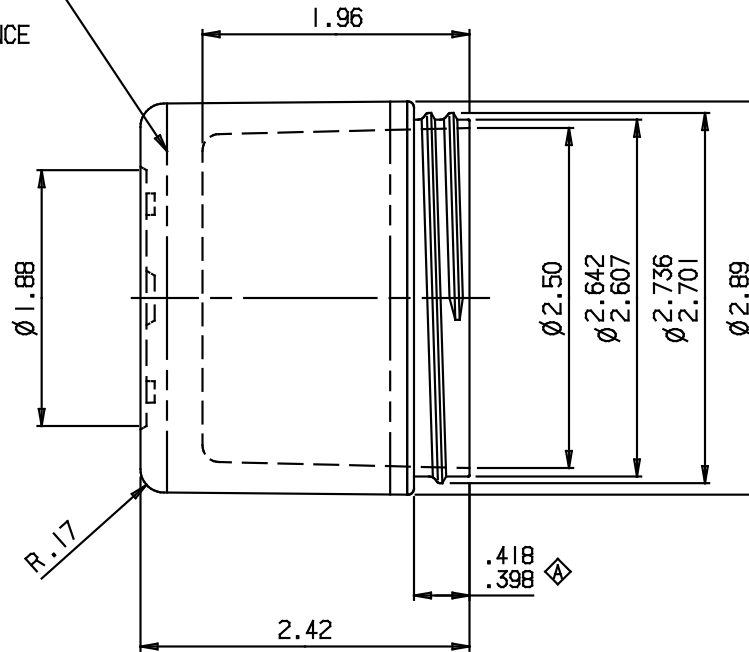
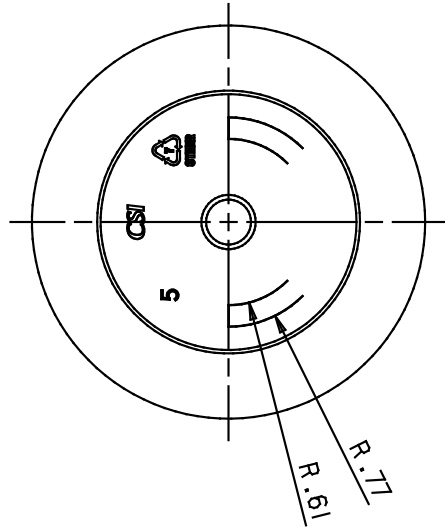


2

1

REV.	DATE	DESCRIPTION	BY
◆	05.20.12	.418/.398 was .41	DJC

DECORATION SPACE
1.64 HIGH
9.03 CIRCUMFERENCE



NOTE:

1. WEIGHT: 35.5 ± 3 g
2. OVERFLOW CAPACITY: 5.1 fl oz or 151.4 cc
3. THREAD : 6 T.P.I.; 1-1/4 TURNS

NOTICE: This drawing, and the subject-matter disclosed therein, embody proprietary information which is the confidential property of Cosmetic Specialties Intl., LLC none of which shall be copied, reproduced, disclosed to others, published, or used, in whole or in part, for any purpose, without the express advance written permission of a duly authorized agent of the CSI. This drawing is subject to recall by the CSI at any time.

INCH THIRD ANGLE PROJECTION 	TOLERANCE EXCEPT AS NOTED
	.XX ±.015 .XXX ±.010 .XXXX ±.005 FRAC. ±1/32 ANG. ± 0° 30'

DET.	REQ'D	DRAWING #	MATERIAL	DESCRIPTION
			PP	LINER
			PS/SAN	SHELL
SCALE: 1:1		DRAWN: DJC	DATE: 11.19.08	CSI <small>COSMETIC SPECIALTIES INTERNATIONAL, LLC 550 EAST THIRD ST. ONYARD, CA 92690 (805) 487-6698</small>
MATERIAL:	SHRINK:	CHECKED: DJC	DATE: 05.20.12	
TITLE: JAR, 4 Oz., 70 MM-400 DOUBLE WALL, STRAIGHT SIDED				CAD FILE NUMBER: 14-0401-00-1-0-000-A.drw DRAWING NUMBER: 14-0401-00-1-0-000
REV. A				OF SHT.

2

1