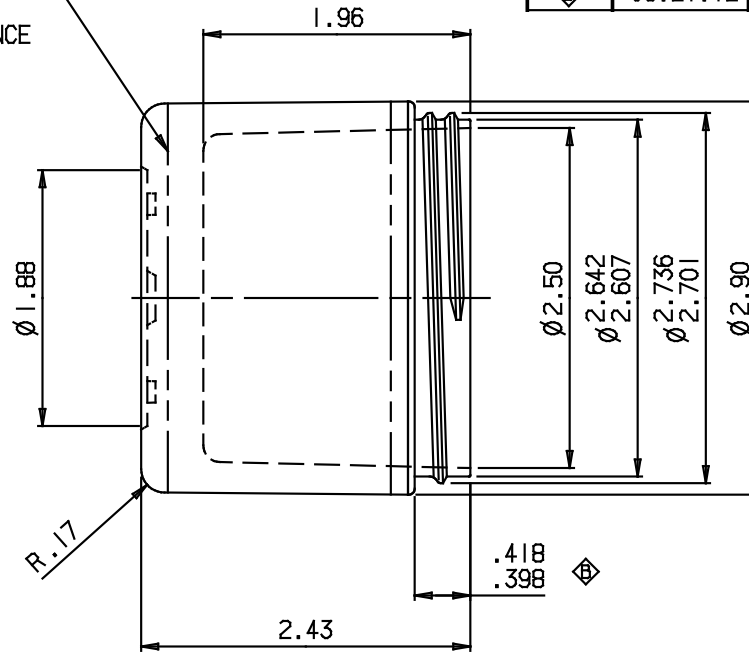
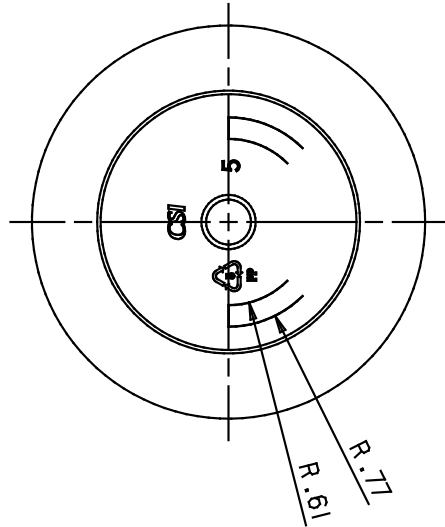


2

1

REV.	DATE	DESCRIPTION	BY
◇	04.18.12	1.64 was 1.62, 9.03 was 8.80 34.0 was 32.0, added 5.1 fl oz	DJC
◇	05.21.12	.418/.398 was .41	DJC

DECORATION SPACE
1.64 HIGH
9.03 CIRCUMFERENCE



NOTE:

1. WEIGHT: 34.0 ± 3 g
2. OVERFLOW CAPACITY: 5.1 fl oz or 151 cc
3. THREAD : 6 T.P.I.; 1-1/4 TURNS

PP	LINER
PP	SHELL

DET.	REQ'D	DRAWING #	MATERIAL	DESCRIPTION
SCALE:		DRAWN:	DATE:	CSI COSMETIC SPECIALTIES INTL., LLC 550 EAST THIRD ST OXNARD, CA 93030 (805) 487-6698
1:1		DJC	06.03.08	
MATERIAL:	SHRINK:	CHECKED:	DATE:	
PP	.018"	DJC	05.21.12	

NOTICE: This drawing, and the subject-matter disclosed therein, embody proprietary information which is the confidential property of Cosmetic Specialties, Intl., LLC, none of which shall be copied, reproduced, disclosed to others, published, or used, in whole or in part, for any purpose, without the express advance written permission of a duly authorized agent of the CSI. This drawing is subject to recall by the CSI at any time.

INCH THIRD ANGLE PROJECTION 	TOLERANCE EXCEPT AS NOTED
	.XX ±.015 .XXX ±.010 .XXXX ±.005 FRAC. ±1/32 ANG. ± 0° 30'

TITLE:
JAR, 4 Oz., 70 MM-400
DOUBLE WALL, STRAIGHT SIDED
PP

REV. B	CAD FILE NUMBER: 14-0416-00-00-1-0-000-B.DRW	OF
	DRAWING NUMBER: 14-0416-00-1-0-000	SHT.

2

1