

2

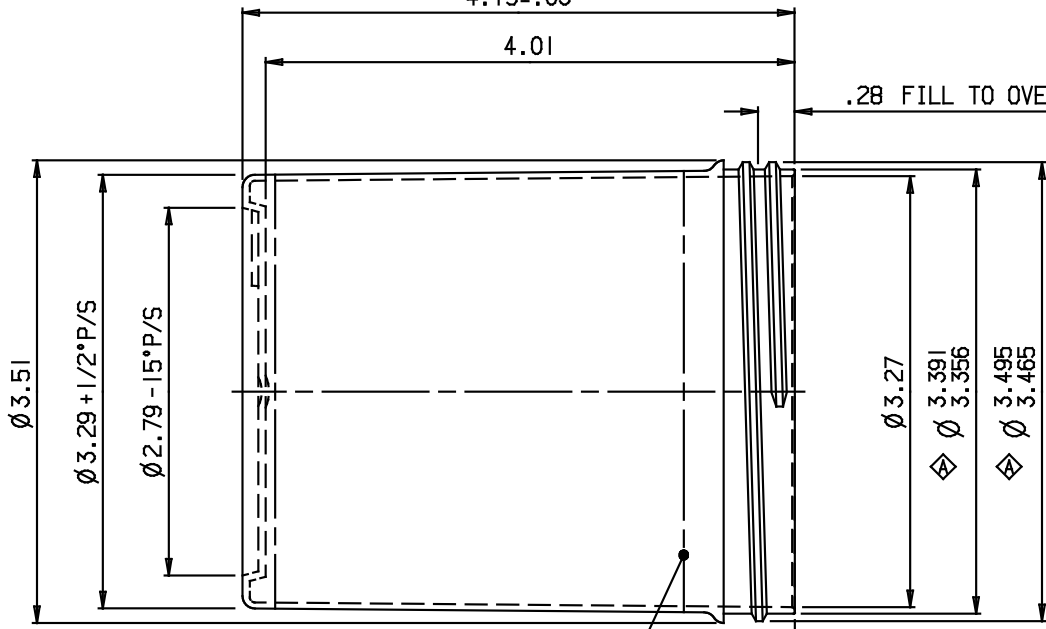
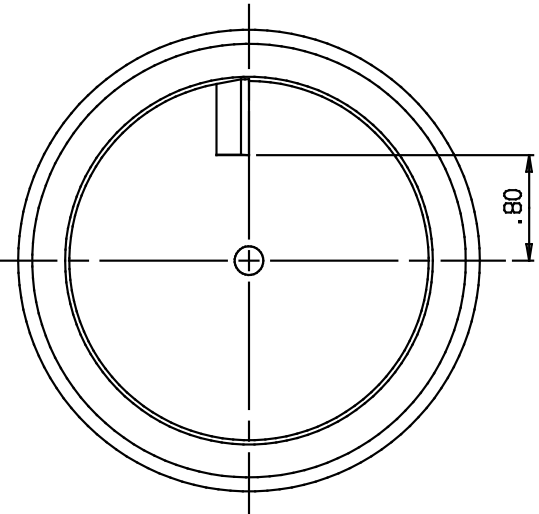
1

REV.	DATE	DESCRIPTION	BY
◆	05.18.12	Ø3.495/3.465 was Ø3.48, Ø3.391/3.356 was Ø3.37 .550/.530 was .54, added capacity to fill level	DJC

4.19±.03

4.01

.28 FILL TO OVERFLOW (500 ml)



DECORATION SPACE
3.10 HIGH x 10.40 AROUND

NOTE:

- 1. WT. OF EMPTY JAR: 42 g ± 3 g
- ◆ 2. CAPACITY TO FILL LEVEL: 500 ml or 16.9 fl oz.
- 3. CAPACITY TO OVERFLOW: 538 ml ± 10 ml or 18.2 fl oz
- 4. THREAD: 5 T.P.I.; 1-1/2 TURNS

SCALE: 1:1	DRAWN: K.O.	DATE: 08.06.96
MATERIAL: PP	SHRINK: .018	CHECKED: DJC
		DATE: 05.21.12

CSI
 COSMETIC SPECIALTIES, INTL., LLC
 550 EAST THIRD ST.
 OXNARD, CA 93030
 (805) 487-6698

INCH		TOLERANCE EXCEPT AS NOTED
THIRD ANGLE PROJECTION		.XX ±.015
		.XXX ±.005
FRAC.		±1/32
ANG.		± 0°30'

TITLE:
 JAR, 89 MM-400 500 ml
 SINGLE-WALL

REV. A	CAD FILE NUMBER: 14-0429-00-1-0-000-A.DRW
	DRAWING NUMBER: 14-0429-00-1-0-000
	OF SHT.

2

1

B

B

A

A