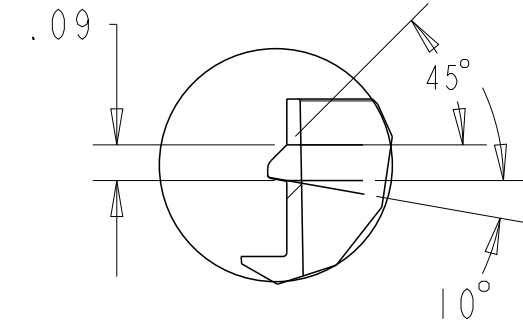
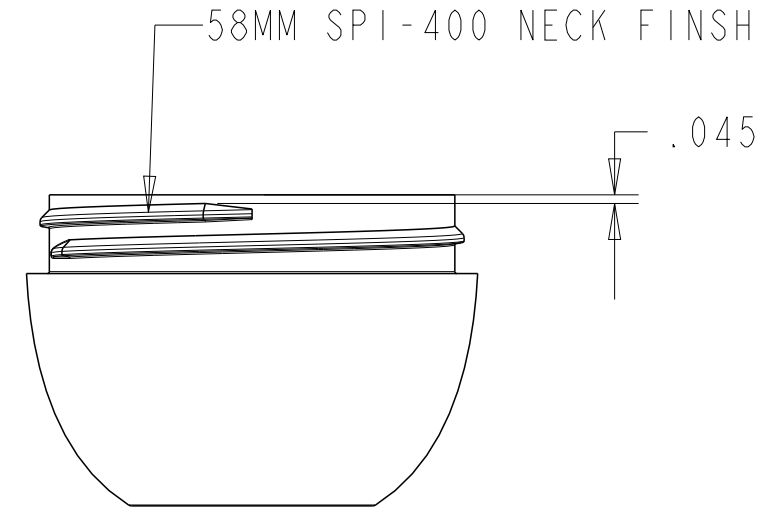
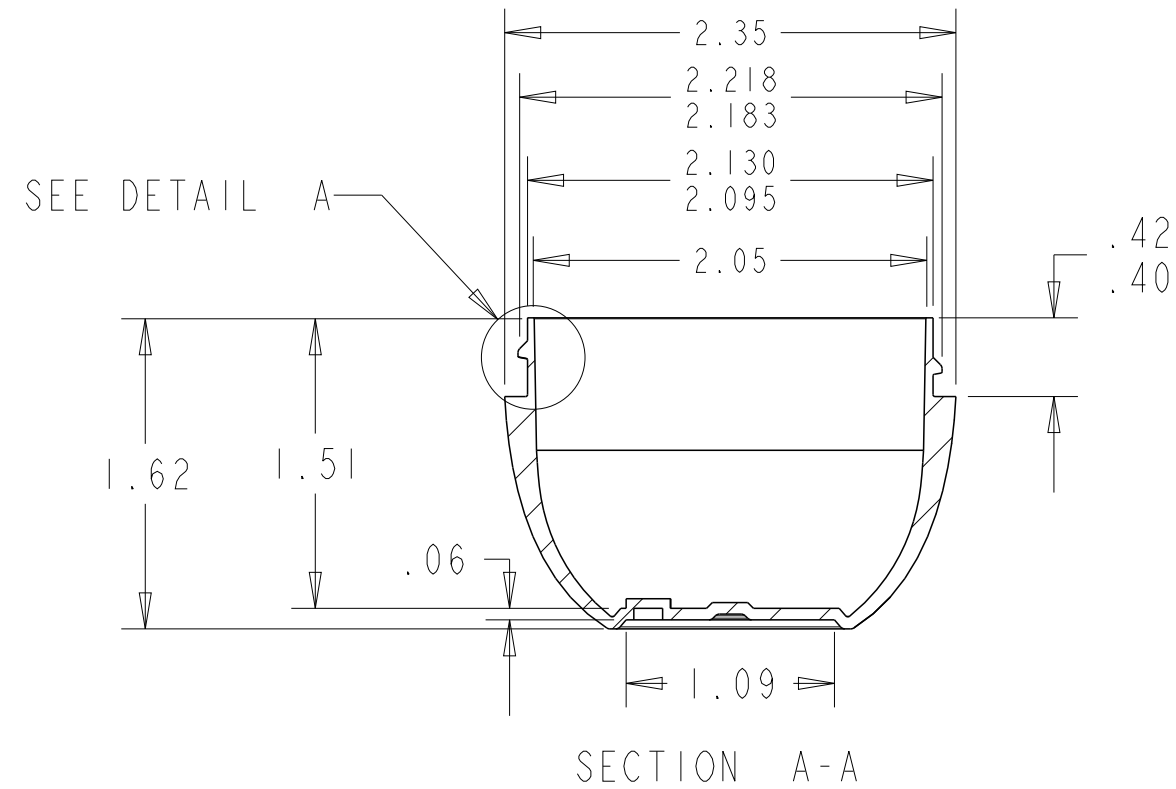
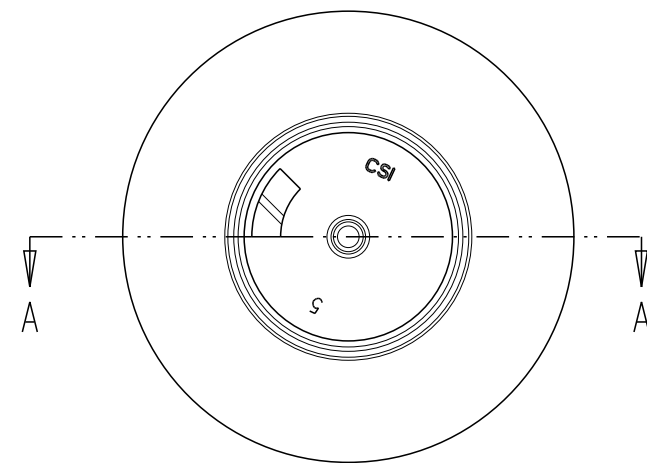


REVISIONS			
REV	DESCRIPTION	DATE	APPROVED




DETAIL A  
SCALE 2.0



NOTE

1. WEIGHT OF EMPTY JAR: 14.6g±3g.
2. CAPACITY TO FILL LEVEL: 2 fl oz OR 59 ml.
3. CAPACITY TO OVERFLOW: 2.47 fl oz OR 73 ml.
4. THREAD: 6 T.P.I 1 & 1/4 TURN

<b>TOLERANCES</b> DECIMALS .XX ±.015 .XXX ±.005 .XXXX ±.0005 ANGLES ± .5° <small>DIMENSIONS ARE IN INCHES, UNLESS OTHERWISE SPECIFIED.</small>	CONFIDENTIAL AND PROPRIETARY <small>THE INFORMATION CONTAINED HEREIN IS THE CONFIDENTIAL AND THE EXCLUSIVE PROPERTY OF CSI. THIS DOCUMENT AND THE INFORMATION CONTAINED HEREIN, SHALL NOT BE COPIED, REPRODUCED, PUBLISHED, DISPLAYED OR DISTRIBUTED IN WHOLE OR IN PART, IN ANY MEDIUM, BY ANY MEANS, FOR ANY PURPOSE WITHOUT THE EXPRESS WRITTEN CONSENT OF CSI. CSI. 2012 ALL RIGHTS RESERVED</small>		 <b>Cosmetic Specialties International, LLC</b> 550 E. Third St. Oxnard CA 93030	
	<b>MATERIAL</b> P.P.	<b>APPROVALS</b> DRAWN <i>MJUN</i> CHECKED DJC ENGR. DJC	<b>DATE</b> 2/11/12 2/11/12 2/11/12	<b>TITLE:</b> FIORE JAR, 2oz 58 mm
<b>FINISH</b> SMOOTH	<b>SIZE</b> <b>B</b>		<b>SCALE</b> DO NOT SCALE DRAWING	<b>DWG NO.</b> 14-4016-01-1-0-000 <b>SHEET</b> 1 of 1